



- Revolving Doors 
- Sliding Doors 
- Hospital Doors 
- 90° Degree Doors 
- Security Access Systems 

METAXDOOR SECU CRS

Security Circular Sliding Door



SECU CRS 100



SECU CRS 200





“METAXDOOR SECU CRS is the best choice wherever you are looking for solid, economic and maximum security entrance solutions.”

With security being a major concern in today's world, entrances must also be designed with this in mind. Unbreakable electronic and motor locks, strengthened shatterproof glasses, toughened profiles, a range of activation alternatives, night shield, etc and the ability to be integrated to the building's main security system; **METAXDOOR** Secu CRS security circular sliding door systems are designed to provide the maximum security possible from an entrance.

METAXDOOR Secu CRS security circular sliding door systems enables only single person to pass at a time. This way, you can have a controlled access without compromising beneficial functions of circular sliding doors. Secu CRS security circular sliding door can be manufactured as bullet proof or explosion proof and metal detectors can be applied to the system.

“You Dream, We Make”

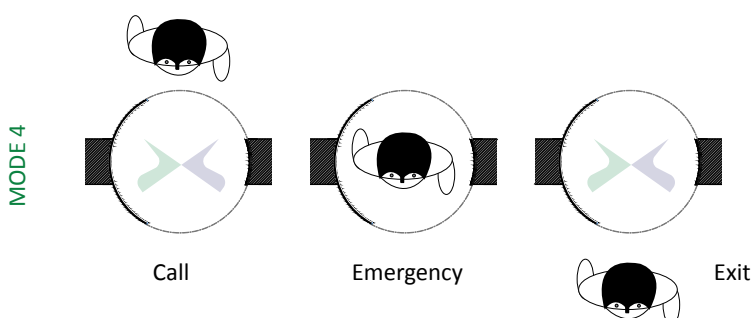
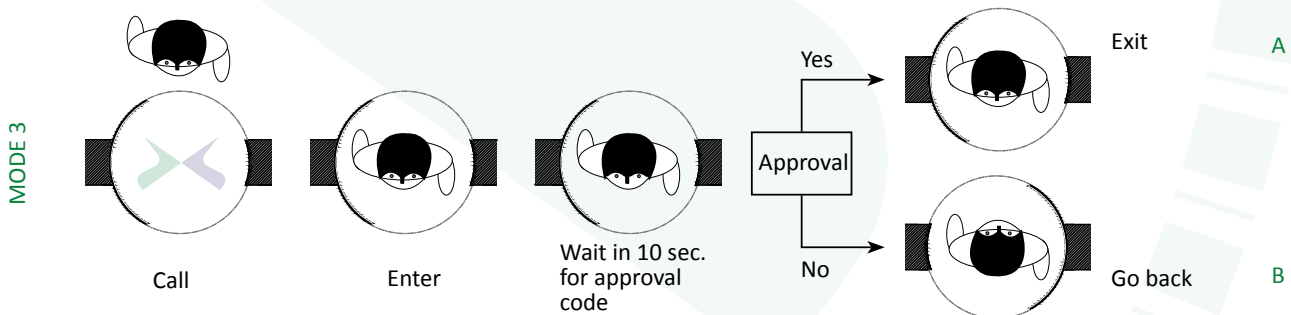
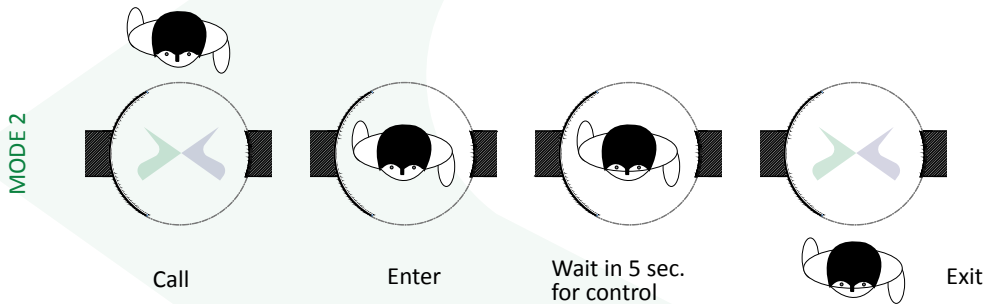
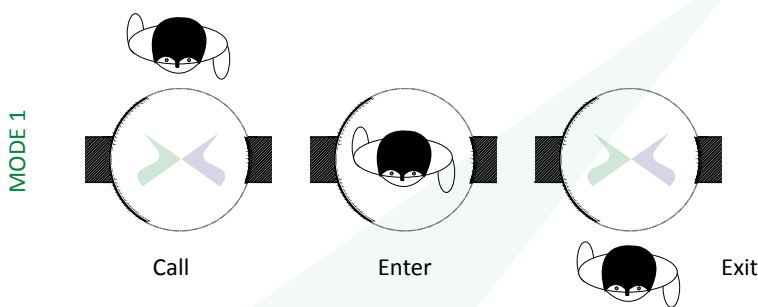
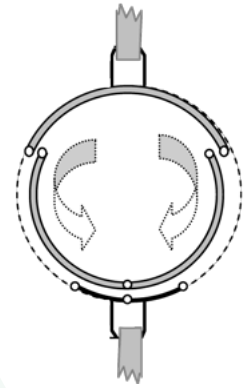


Operation Mode

The system is microprocessor controlled, DC motor driven and bi-directional. On start position, the interior cylinder is off in both directions which, then rotates when the access is authorised enabling to start the system.

The interior cylinder opens the exit by rotating after someone enters. It completes its move after someone exits; gets ready for the next move and stays on close position.

When someone gets into the door at the same time of another entry, then the system locks itself and gets into alarm mode. The warning can be provided with a sound or light.



A

B

A

B

A

B

A

B

METAXDOOR SECU CRS 100

2mm

2mm CANOPY COVER

8 mm BASKET

LAMINATED GLASS

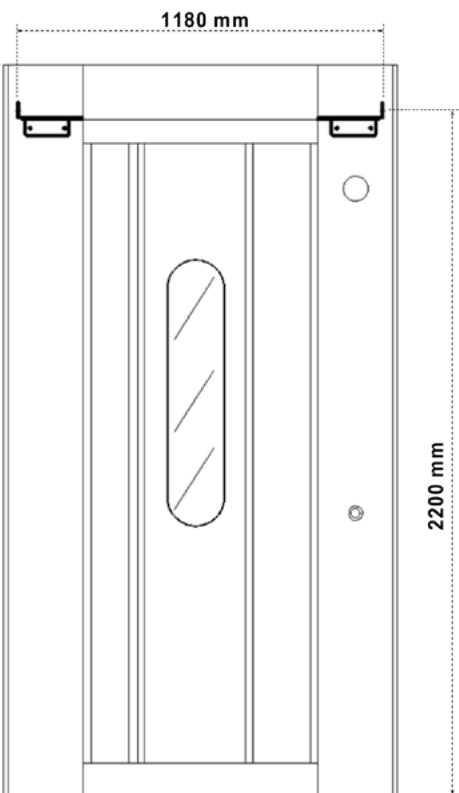
4+0.76+4 mm LAMINATED GLASS

NATURAL HORSE HAIR BRUSH 40 mm

4+0.76+4 mm LAMINATED GLASS

0,00

MANUAL LOCK

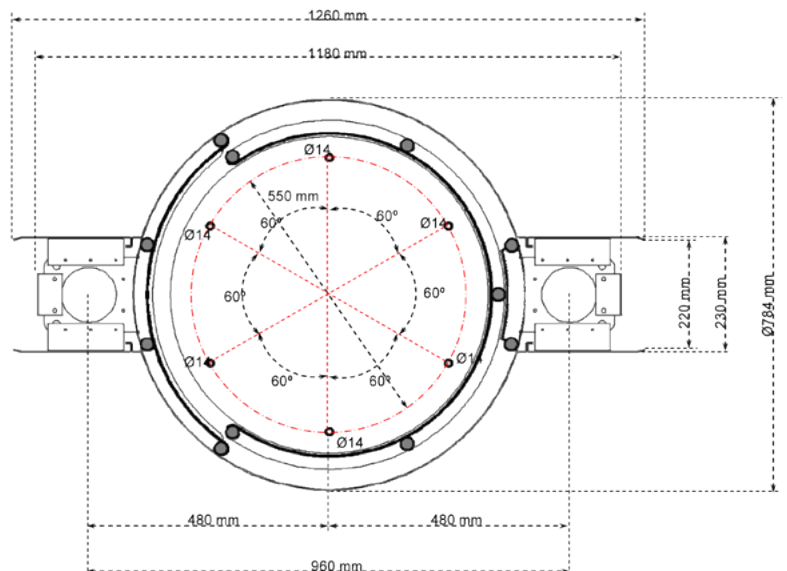


Technical Specification	
Power supply	220 V - 50 Hz. AC (% ± 10), 12-35 V DC On stand by ~14W Max. ~130W
Energy	The energy that comes to the system is filtered.
Body features	Cylindrical shaped, 1.5mm thick, 304 grade stainless steel
Circular Sliding	Fixed access located between the supporting structure and the wall
Dimensions	1260x2345x784 mm
Weight	~440kg
Operating temperature	(-20°C) – (+68°C) (Opt:- 50°C with heater unit) RH 95% (±2%) non-condensing, IP 44, 1M cycles
Indicators	Green&Red Dot Matrix Led on both side panels
Emergency mode	Emergency mode is activated by contact on emergency input terminals located on the control unit.
Standard features	Direction and status indicators, IR Height sensor
Optional	Weight sensor
Control system	All inputs are opto-coupler protected and controlled by dry contact or grounding input. The system is compatible with all access control systems that provide dry contact or grounding outputs. Optional RS232/RS45/TCP IP control module is available.

* Please contact us for special designs according to your projects.

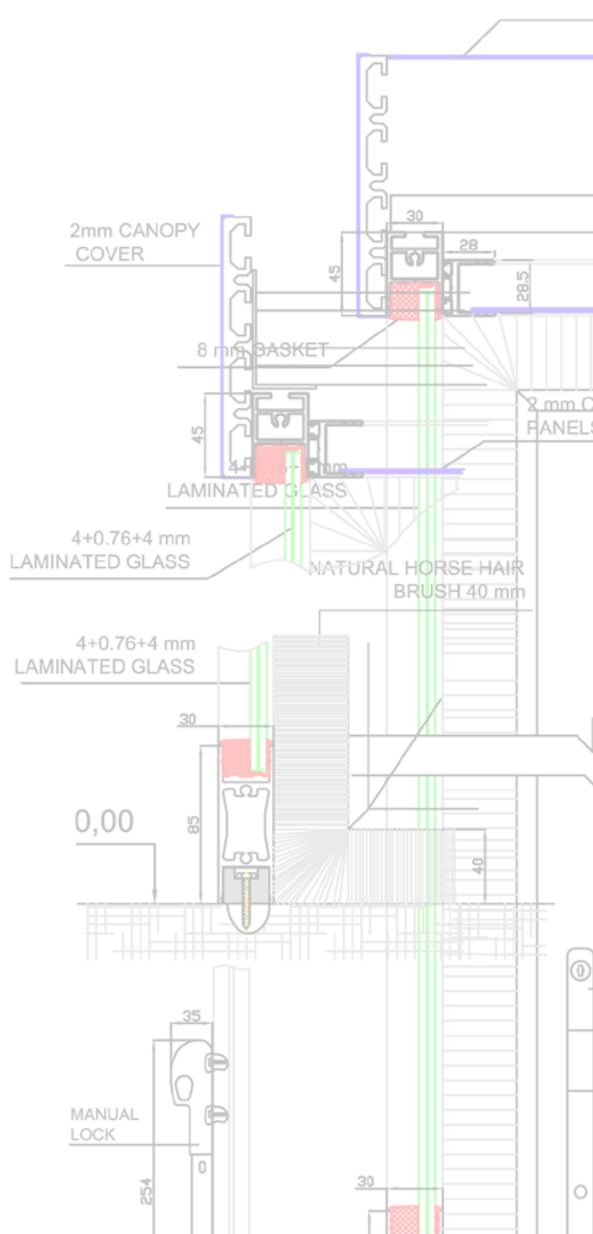


SECU CRS 100
It's designed for maxi safety entrance



METAXDOOR SECU CRS 200

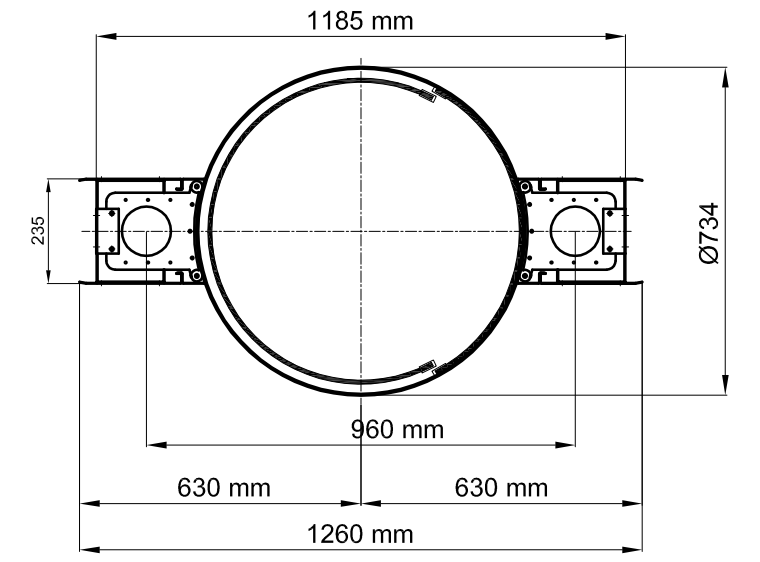
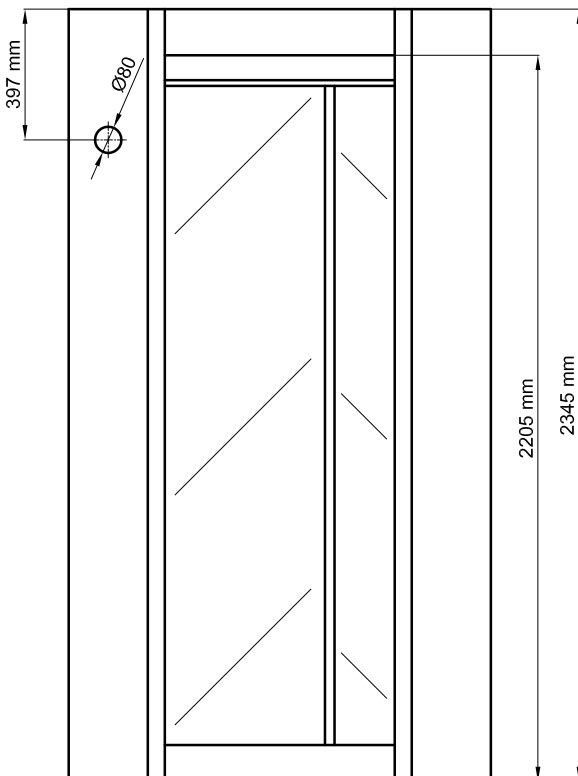
2mm



Technical Specification	
Power supply	220 V - 50 Hz. AC (% ± 10), 12-35 V DC On stand by ~14W Max. ~130W
Energy	The energy that comes to the system is filtered.
Body features	Cylindrical shaped, 1.5mm thick, 304 grade stainless steel
Circular sliding	Fixed access located between the supporting structure and the wall
Dimensions	1290x2270x655mm
Weight	~440kg
Operating temperature	(-20°C) – (+68°C) (Opt.- 50°C with heater unit) RH 95% (±2%) non-condensing, IP 44, 1M cycles
Indicators	Green&Red Dot Matrix Led on both side panels
Emergency mode	Emergency mode is activated by contact on emergency input terminals located on the control unit.
Standard features	Direction and status indicators, IR Height sensor
Optional	Weight sensor
Control system	All inputs are opto-coupler protected and controlled by dry contact or grounding input. The system is compatible with all access control systems that provide dry contact or grounding outputs. Optional RS232/RS45/TCP IP control module is available.

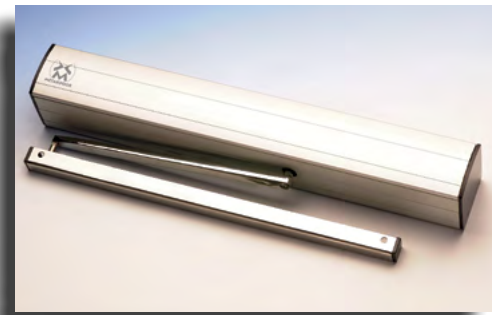
* Please contact us for special designs according to your projects.

SECUCRS 200
It's designed for maxi
safety entrance





MANUFACTURER OF AUTOMATIC DOOR SYSTEMS



www.metaxdoor.com
info@metaxdoor.com

